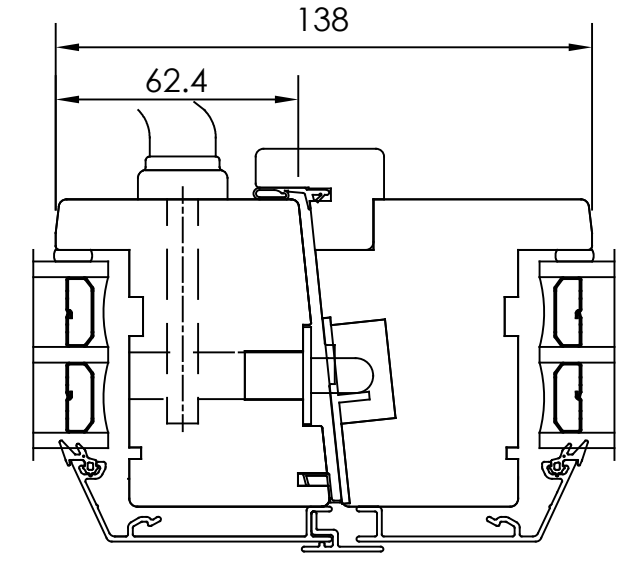
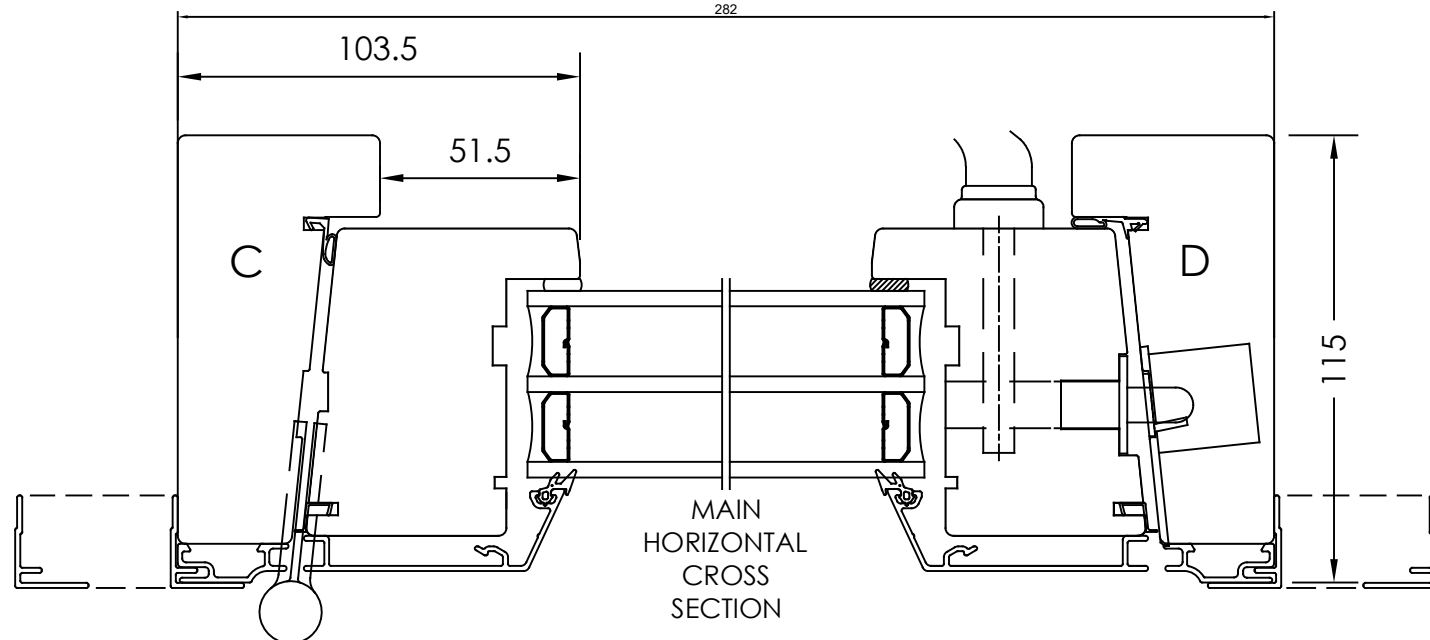
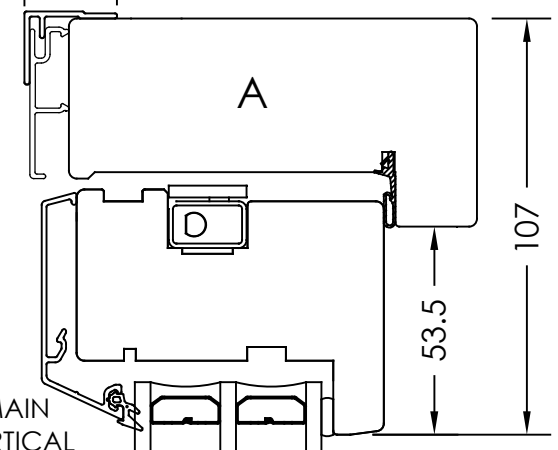


| Rev | Description | Rev. by | Date |
|-----|-------------|---------|------|
|     |             |         |      |

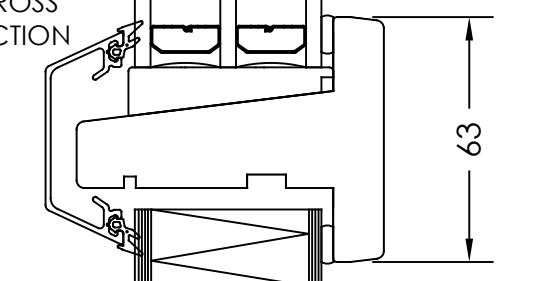


VERTICAL AND TOP OPTION  
- Profile for plastered fasades.  
Frame depth 117mm.

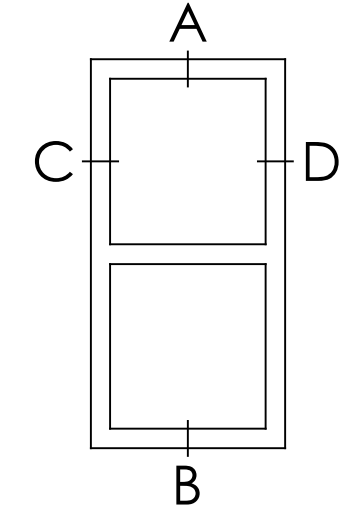
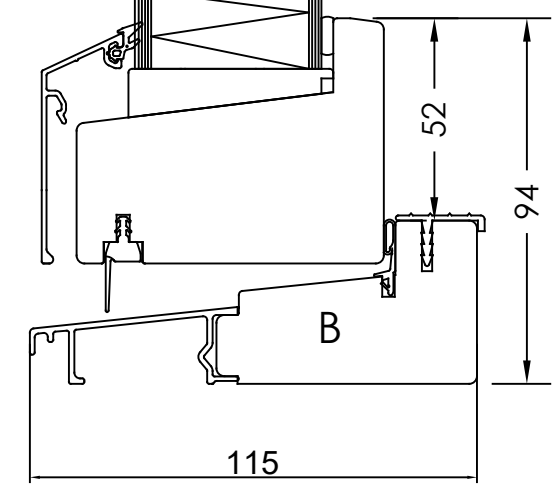


VERTICAL AND TOP OPTION  
- Internal slot.

MAIN VERTICAL CROSS SECTION

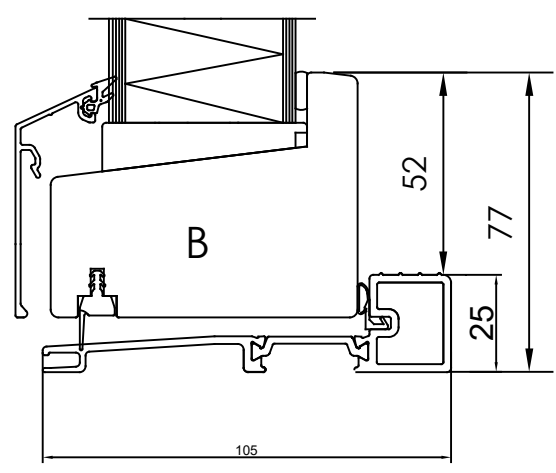



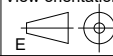
ALL AROUND OPTION  
- Antique internal design.



CS = CROSS SECTION

VERTICAL CS OPTION  
- Low handicap threshold.



|  |                                    |   |   |
|--|------------------------------------|---|---|
| Designed by<br><b>JW</b>   | Designed date<br><b>2023-04-26</b> | Product Category<br><b>Window Outward</b>               | Processing Code   |
| Approved by<br><b>JB</b>   | Approved date<br><b>2023-12-11</b> | Product Type<br><b>Door</b>                             | Material  |
| <br>Great Windows & Doors |                                    | Dörr 48 mm<br>3-glas, Alu<br>Door 48 mm<br>3-glass, Alu | Tolerances unless otherwise specified   |
|  |                                    | Article Number  | View orientation<br> |
|  |                                    | Drawing Number<br><b>61-37-D221</b>                     | Scale<br>Revision<br><b>A</b>   |

We reserve all rights in this document and in the information contained therein. Reproduction, use or disclosure to third parties without express authority is strictly forbidden. INWIDO